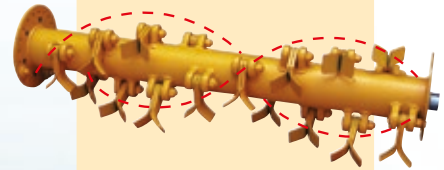


FERRI®

www.ferri-america.com

Heavy duty improvements



"OVERLAP" spiral rotor with two spiral rows



Drop forged arm brackets and flail head linkage.



Boom mowers

• Agriculture • Light green maintenance • Tractors from 50 to 70 HP

TM 46 FARM

 50 to 70 HP  15' 3"



electra

Boom mowers

• Agriculture • Light green maintenance • Tractors from 50 to 70 HP



Equipment

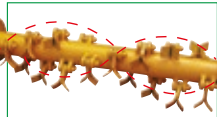
TM46 FARM



Floating (flail head is free to float to follow ground contours)



Lift float (via accumulator)



"OVERLAP" spiral rotor with two spiral rows



Drop forged flail head linkage



Oil cooler with thermostat



Cable controls



Mono lever electric controls "Soft Start/Stop" (only Full Electra version)



Reversible rotor



Cast iron pump and motor group 3



Totally independent hydraulic system



Direct drive



Front and rear rubber guard



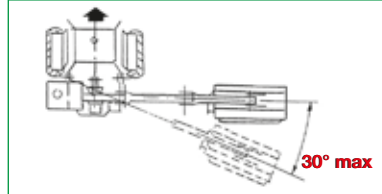
● Standard □ Optional

Technical specifications

Max. horizontal reach	ft.	15'3"
Weight	lbs	1713
Hydraulic oil capacity	gal	33
Three point linkage	Cat.	II
Pto speed	RPM	540
Power to the rotor	HP max	35
Hydraulic motor	HP max	45



Mechanical breakaway



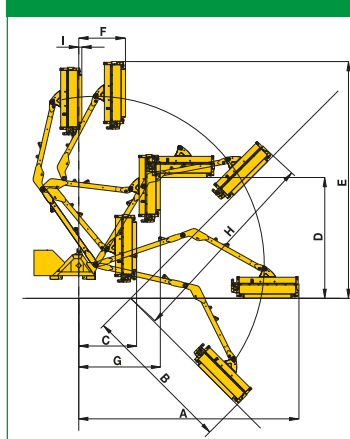
Accessories



CS 150 Cutter bar max cut 1/2" - width of cut 59"

Tractors (recommended features)				Min. weight	Min. width
HP Tractor	50	60	70	lbs	ft
TM 46				5512	5'11"

Working positions



	TM46 Farm
A	ft 15'3"
B	ft 10'5"
C	ft 4'0"
D	ft 8'5"
E	ft 16'5"
F	ft 3'3"
G	ft 5'8"
H	ft 13'11"
I	ft 0'3"

Flail head



TI 120 direct drive

Technical specifications for flail heads		TI 120
Width of cut	in.	47
Rotor speed	RPM	3100
Flail head angle		190°

Blades interchangeable on same motor



No. 44 Multi-use blades: grass, shrubs, bushes, sticks, wood. max cut 1 1/4"



No. 22 "T" hammer blades for wood max cut 1 3/4"



FERRI srl

Via Govoni, 30
44034 Tamara (FE) Italy
Tel. +39 0532 866866
Fax +39 0532 866851
info@ferrisrl.it - www.ferrisrl.it



North America Sales and Marketing Manager / FERRI

Ronald E. Roglis - Glenarm, Illinois 62536
Cell (314) 422-9460 - Fax (217) 483-4123
ron.roglis@gmail.com

Parts Stock / FERRI:

J.S. Woodhouse Co., Inc. - 1314 Union Street
P.O. Box 1169 - West Springfield, Ma. 01090 U.S.A.
tel. 413-736-5462 - fax 413-732-3786
info@jswoodhouse.com